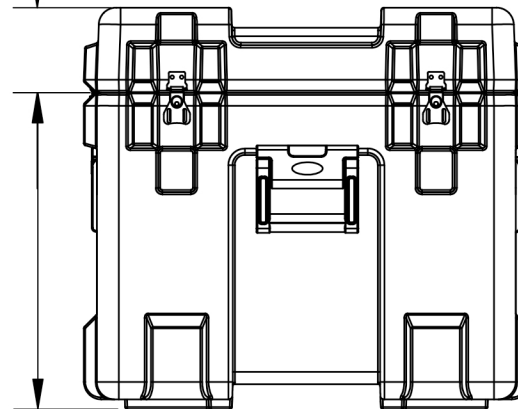
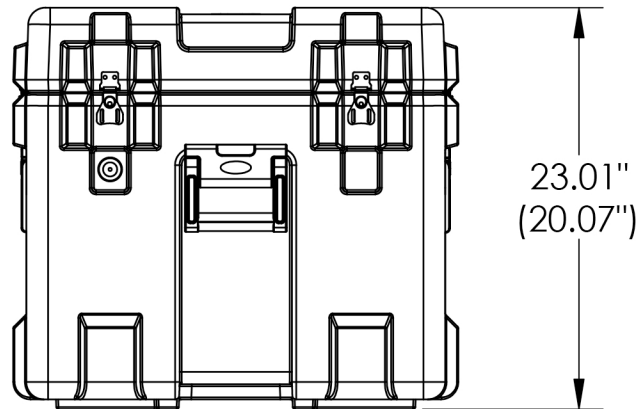


4.88"
(3.57")



18.13"
(16.50")

3R2222-20



NOTE: DIMENSIONS IN (X.XX) ARE ID

434 West Levers Place
Orange, CA 92867
Phone: (714) 637-1252
Fax: (714) 637-0491
<http://www.skbcases.com>

This drawing and all information details are the sole property of SKB Corporation, Orange CA. Any unauthorized use will be punished to the full extent of the law.

Case Series:	Mil-Standard	Dimensions (for reference only)			
		Length	Width	Overall	Base / Lid
Case part#	3R2222-20			height	height
		left to right	front to back		
Weight:	27.8 LBS EMPTY	25.50"	25.50"	23.00"	18.13"-4.87"
		Interior	22.00"	22.00"	20.07"
		Exterior	25.50"	25.50"	23.00"

5

4

3

2

1